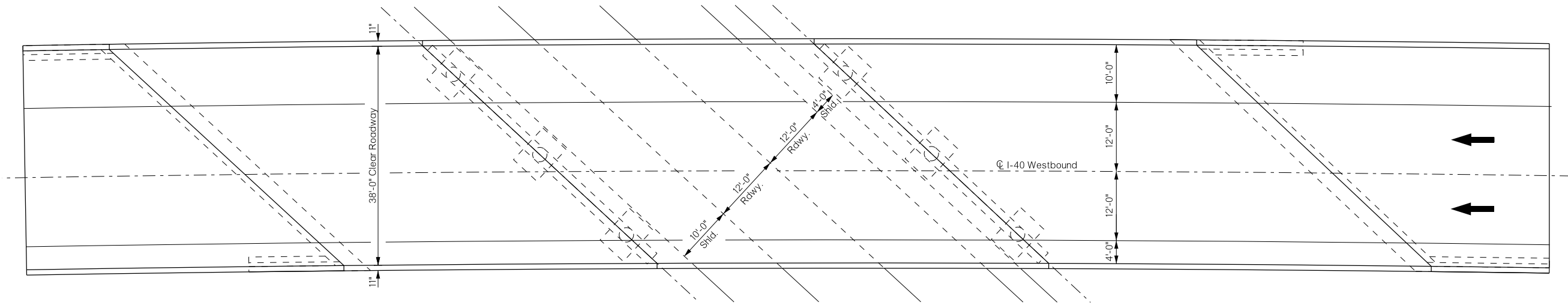
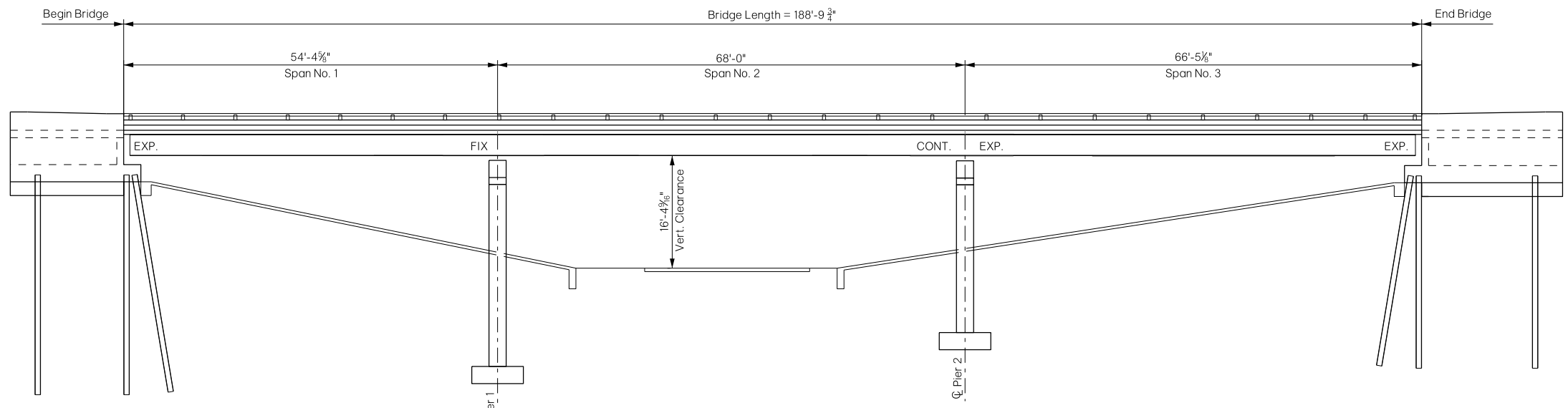


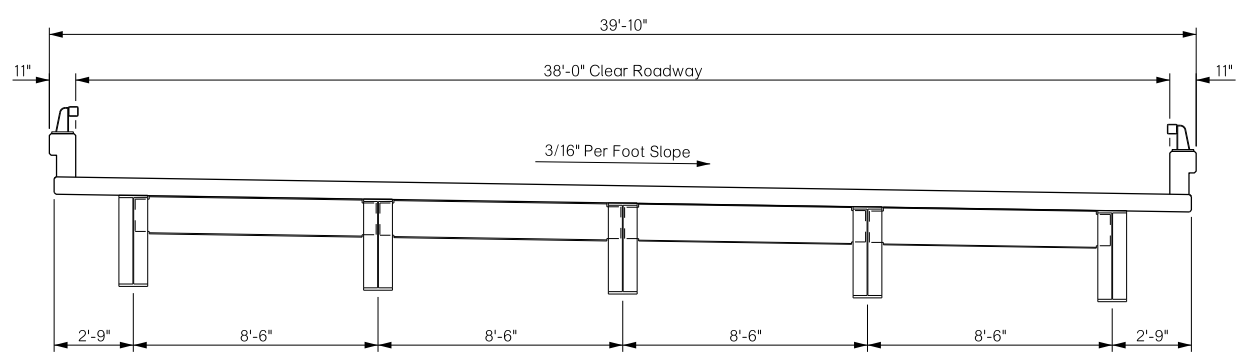
REVISIONS		
REV. NO.	DESCRIPTION	DATE



PLAN



ELEVATION



HALF END VIEW

HALF SECTION VIEW

TYPICAL SECTION

BRIDGE "A" I-40 W.B. OVER I-40 BUSINESS	CUSTER COUNTY	Design	N/A	N/A
GENERAL PLAN AND ELEVATION		Detail	WDY	02/16
		Check	DAH	03/16
		Squad	HARJO	
		Engr.	MOLLA-ESMAIL	
STATE OF OKLAHOMA	DEPARTMENT OF TRANSPORTATION	JOB/PIECE NO. 31700(04)	SHEET NO. B001	